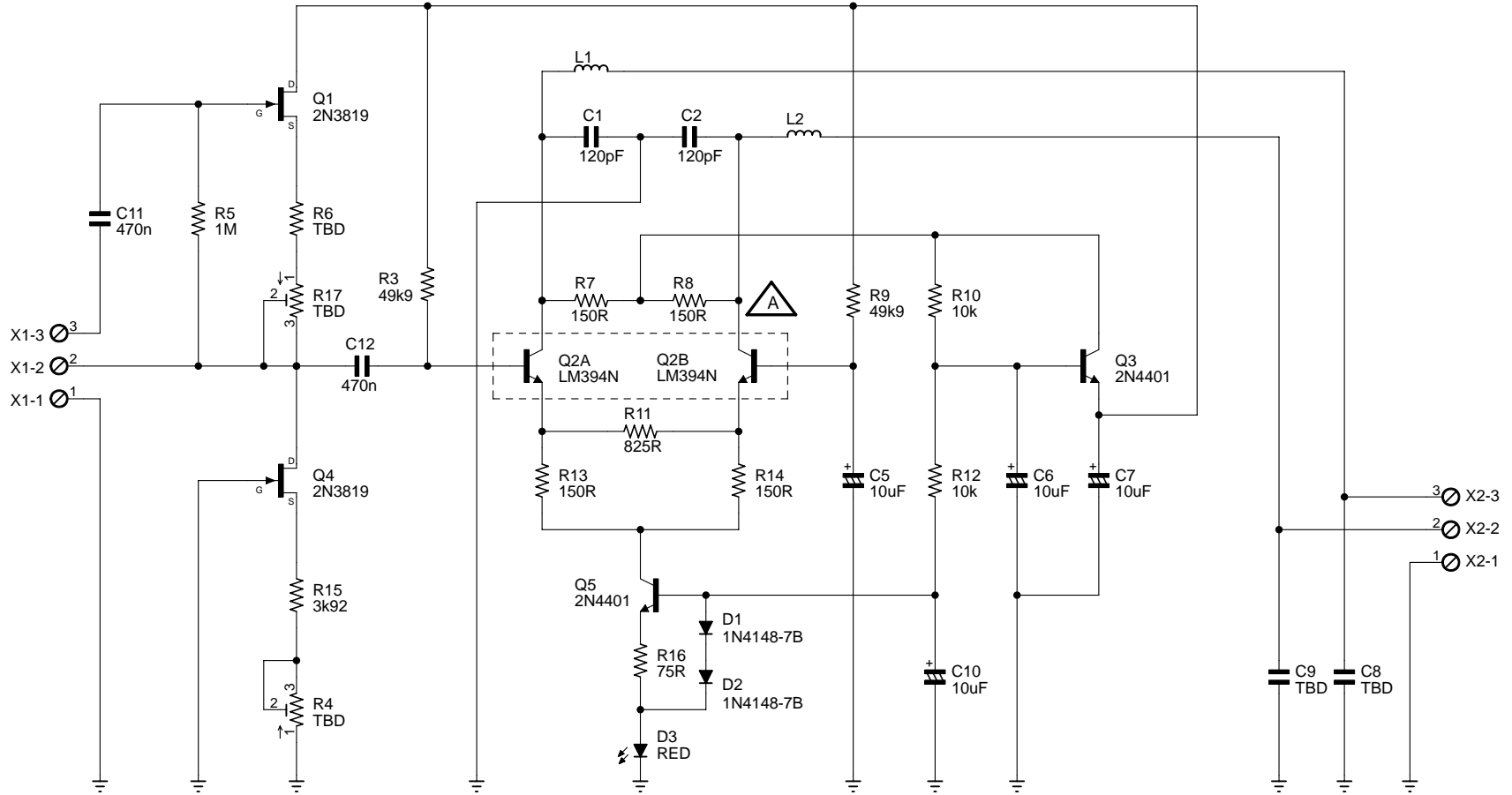
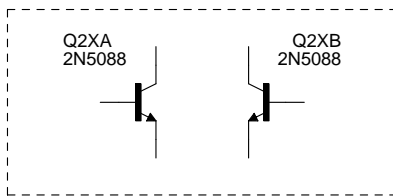


1 THE INFORMATION CONTAINED IN THIS DRAWING IS THE SOLE PROPERTY OF
 2 UNEEDA AUDIO (RICK CHINN). ANY REPRODUCTION IN PART OR WHOLE IS
 3 STRICTLY PROHIBITED WITHOUT WRITTEN PERMISSION.

PROPRIETARY



A ALTERNATE Q2 STUFF OPTION



SWAGE1
 SWAGE-HOLE-139

SWAGE2
 SWAGE-HOLE-139

ISSUE	UNEEDA AUDIO	THIS DRAWING CONTAINS COPYRIGHT MATERIAL AND SHOULD NOT BE USED WITHOUT WRITTEN PERMISSION.	© 2009
DRAWN R.CHINN	TITLE BOUNDARY MIKE PREAMP		REV C
CHECKED R.CHINN	DATE 11/27/2011 4:23:18 PM	DRG N ^o ED-BMP.3XX	
DATE 11/18/10	FILE: BMP-REV-C		PAGE: 1/1